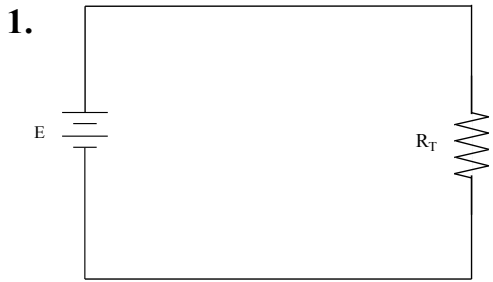


Series Circuit Worksheet #1

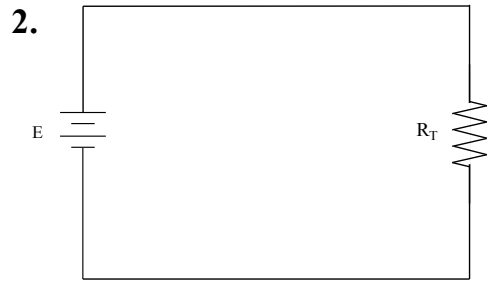
Meets NATEF Task: (A6-A-2) Diagnose electrical/electronic integrity for series, parallel, and series-parallel circuits using principles of electricity. (Ohm's Law). (P-1)

Name _____ Date _____ Time on Task _____

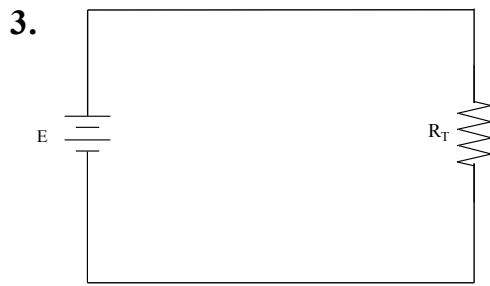
Make/Model/Year _____ VIN _____ Evaluation: 4 3 2 1



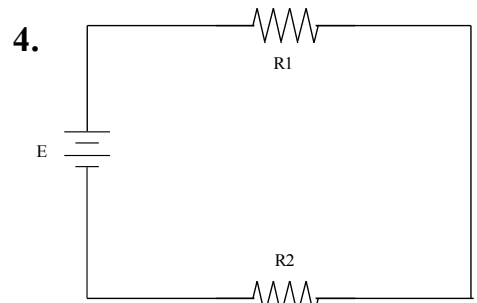
$E = 12$ volts
 $I_T = 3$ amperes
 $R_T = \underline{\hspace{2cm}}$



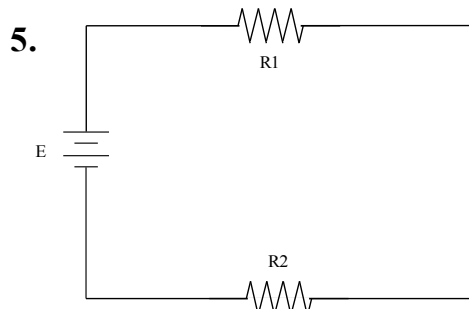
$E = 12$ volts
 $I_T = \underline{\hspace{2cm}}$
 $R_T = 3$ ohms



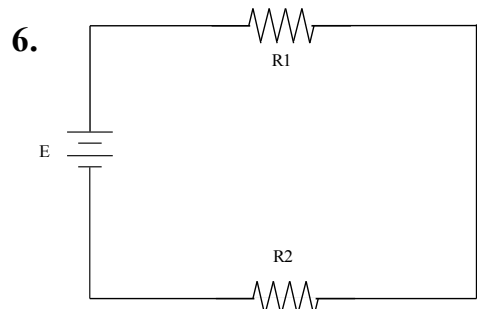
$E = \underline{\hspace{2cm}}$
 $I_T = 3$ amperes
 $R_T = 4$ ohms



$E = 12$ volts
 $I_T = \underline{\hspace{2cm}}$
 $R1 = 1$ ohm
 $R2 = 1$ ohm



$E = \underline{\hspace{2cm}}$ $R2 = 3$ ohms
 $I_T = 2$ amperes
 $R1 = 3$ ohms



$E = 12$ volts $R2 = \underline{\hspace{2cm}}$
 $I_T = 3$ amperes
 $R1 = 3$ ohms