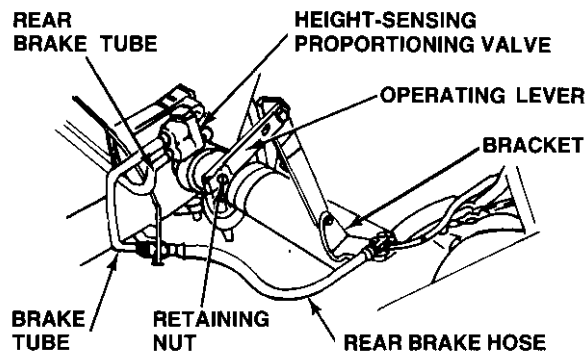


Height-Sensing Proportioning Valve

Meet NATEF Task: (A5-B-10) Inspect, test, and/or replace metering (hold-off) proportioning (balance), pressure differential, and combination valves. (P-3)

Name _____ Date _____ Time on Task _____

Make/Model/Year _____ VIN _____ Evaluation: 4 3 2 1



____ 1. Describe the location of the height-sensing proportioning valve.

____ 2. Visually check for leakage at the valve or damage to the linkage between the valve and the rear suspension.

OK ____ NOT OK ____ Describe fault: _____

____ 3. List the steps specified by the service information regarding how the valves or linkage should be adjusted:
