

MacPherson Strut Service

Meets NATEF Task: (A4-C-10) Remove, inspect, and install strut cartridge or assembly, strut coil spring, insulators (silencers), and upper strut bearing mount. (P-3)

Name _____ Date _____ Time on Task _____

Make/Model/Year _____ VIN _____ Evaluation: 4 3 2 1

_____ 1. Check the service information for the specified service procedure.

_____ 2. Safely support the vehicle on jacks and/or the lift.

_____ 3. Remove the upper and lower attaching bolts and nuts.

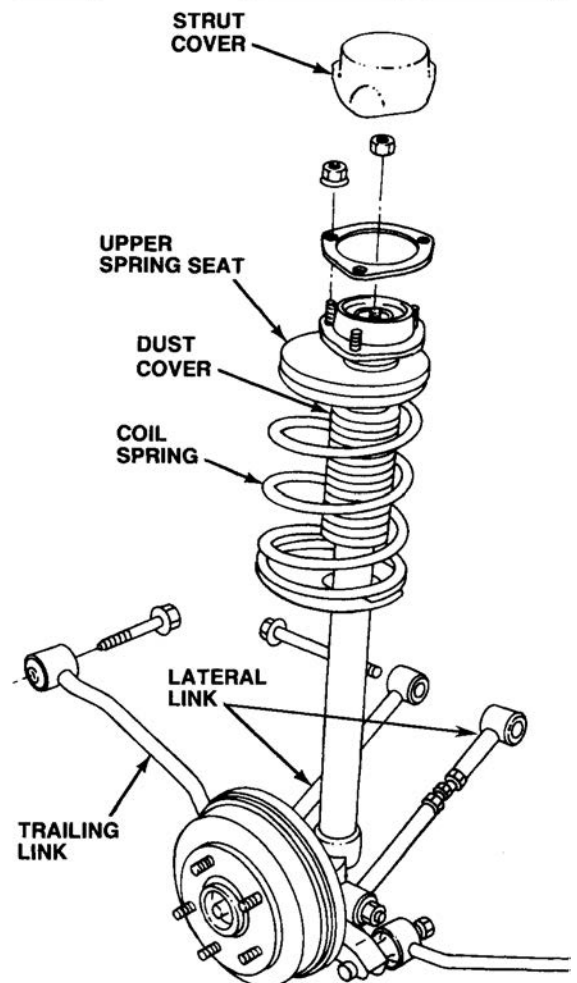
_____ 4. Carefully remove the MacPherson strut assembly from the vehicle.

_____ 5. Compress the coil spring with the proper equipment and replace the strut assembly.

Show the instructor the disassembled unit.

Instructor's OK _____

_____ 6. Reinstall the complete assembly.



NOTE: The vehicle should be aligned after replacing the strut assembly.