

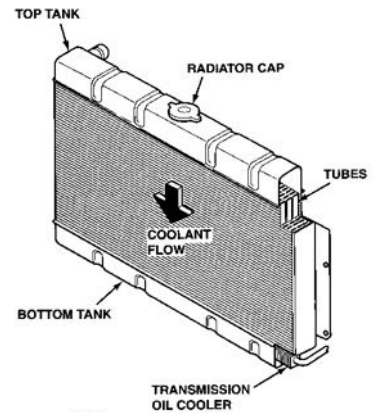
Radiator Replacement

Meets NATEF Task: (A1-D-9) Remove and replace radiator. (P-2)

Name _____ Date _____ Time on Task _____

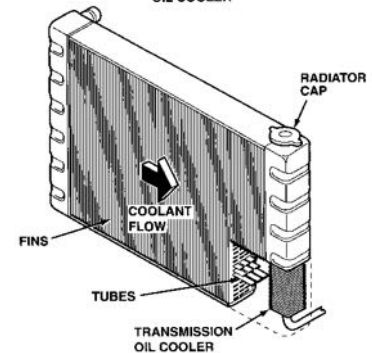
Make/Model/Year _____ VIN _____ Evaluation: 4 3 2 1

_____ 1. Check vehicle service information and determine the specified procedure for removal and reinstallation of the radiator.



_____ 2. Drain the coolant and dispose or recycle.

NOTE: Many vehicle manufacturers recommend that new coolant be installed whenever servicing the cooling system and that the old coolant not be used.



___ Recycled

___ Disposal (describe how the coolant was properly disposed) _____

_____ 3. Coolant capacity is _____.

_____ 4. Radiator is removed from the vehicle. Instructor OK _____

_____ 5. Radiator is installed in the vehicle. Instructor OK _____

_____ 6. Refill the cooling system and bleed air from the system according to the vehicle manufacturer's recommended procedure. Instructor OK _____