

Engine Diagnosis

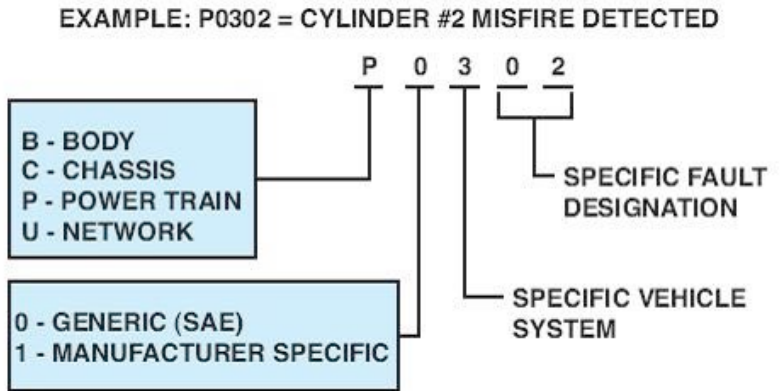
Meets NATEF Task: (A8-B-2, A8-B-4, A8-A-12, A8-B-6) Retrieve and record stored OBD II diagnostic trouble codes; clear codes. (P-1s)

Name _____ Date _____ Time on Task _____

Make/Model/Year _____ VIN _____ Evaluation: 4 3 2 1

_____ 1. Check service information for the specified method for retrieving diagnostic trouble codes on the OBD II vehicle being serviced.

_____ 2. Set a diagnostic trouble code by unplugging a component that is check by the comprehensive component monitor (CCM), such as the throttle position sensor.



_____ 3. Retrieve and record the stored diagnostic trouble code (DTC).

Which code(s) was set? _____

_____ 4. Using specified testing procedures, what system is at fault? _____

_____ 5. What is the necessary action? _____
