

Airbag Diagnosis

Meets NATEF Task: (A6-H-5) Diagnose supplemental restraint systems; determine necessary action. (P-2)

Name _____ Date _____ Time on Task _____

Make/Model/Year _____ VIN _____ Evaluation: 4 3 2 1

_____ 1. Check service information for specified diagnostic test procedures. _____

_____ 2. Locate the airbag schematic and determine the following information.

a. Describe the location of the airbag controller _____

b. Describe the location of the arming sensor _____

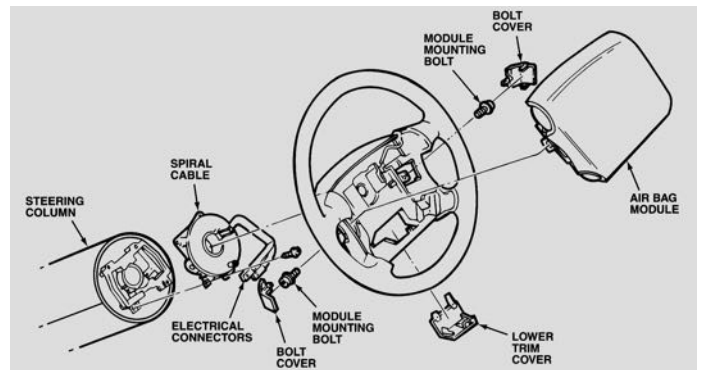
c. Describe the location of the discriminating sensors _____

_____ 3. What fuse number (label) and amperage rating is used for the airbag?

a. Fuse number (label) _____

b. Fuse rating _____

_____ 4. Describe the location of the ground(s) for the airbag. _____



_____ 5. Based on the diagnostic tests, what is the necessary action? _____
