

Blower Motor Circuit

Meets NATEF Task: (A6-H-1) Diagnose operation of motor-driven accessory; determine necessary action. (P-2)

Name _____ Date _____ Time on Task _____

Make/Model/Year _____ VIN _____ Evaluation: 4 3 2 1

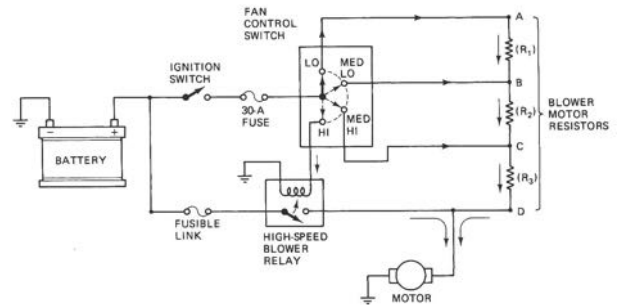
_____ 1. Check service information and determine the specified testing procedures.

_____ 2. Locate the blower motor schematic and determine the following information:
 a. Describe the location _____
 b. Is the blower motor accessible from inside the vehicle or from under the hood?

c. List the wire colors and their gauge:

Power = _____

Ground = _____



_____ 3. How are the various speeds controlled?
 _____ Resistor pack
 _____ Electronic controller
 _____ Other (describe) _____

_____ 4. What fuse number (label) and amperage rating are used for the blower motor?
 a. Fuse number (label) _____
 b. Fuse rating _____

_____ 5. Describe the location of the ground(s) for the blower motor circuit. _____

_____ 6. Measure the current draw of the blower motor on high speed.
 Amperage = _____ (normal blower motor amperage draw is about 12-14 amperes)

_____ 7. Based on the inspection and test results, what is the necessary action? _____
