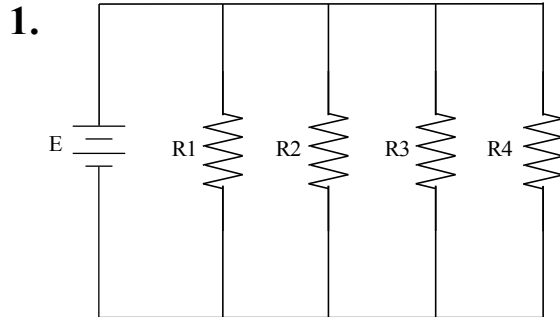


Parallel Circuit Worksheet #2

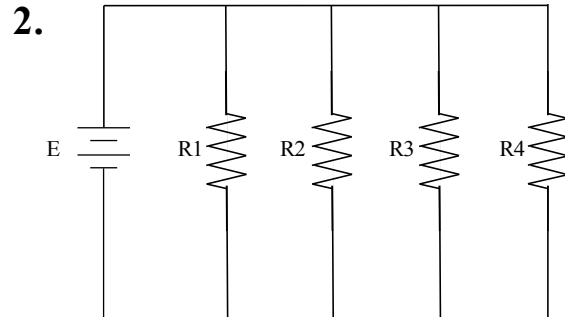
Meets NATEF Task: (A6-A-5) Diagnose Electrical/Electronic Integrity for Series, Parallel, and Series-Parallel Circuits Using Principles of Electricity (Ohm's Law).

Name _____ Date _____ Time on Task _____

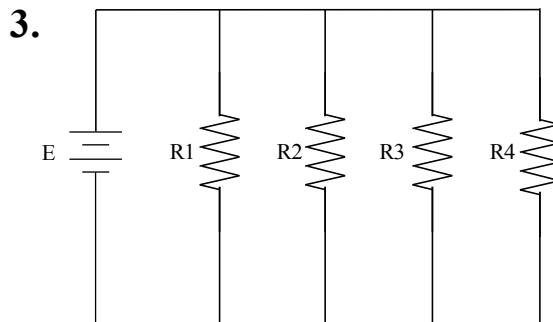
Make/Model/Year _____ VIN _____ Evaluation: 4 3 2 1



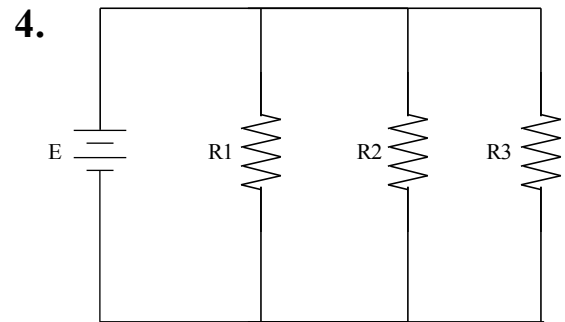
$$\begin{array}{ll}
 E = 12 \text{ volts} & R1 = 4 \text{ ohms} \\
 I_T = \underline{\hspace{1cm}} & R2 = 12 \text{ ohms} \\
 R1 = 4 \text{ ohms} & R4 = 12 \text{ ohms}
 \end{array}$$



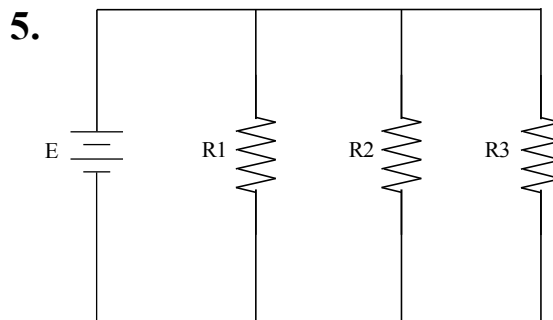
$$\begin{array}{ll}
 E = \underline{\hspace{1cm}} & R1 = 12 \text{ ohms} \\
 I_T = 4 \text{ amperes} & R2 = 12 \text{ ohms} \\
 R1 = 12 \text{ ohms} & R3 = 12 \text{ ohms}
 \end{array}$$



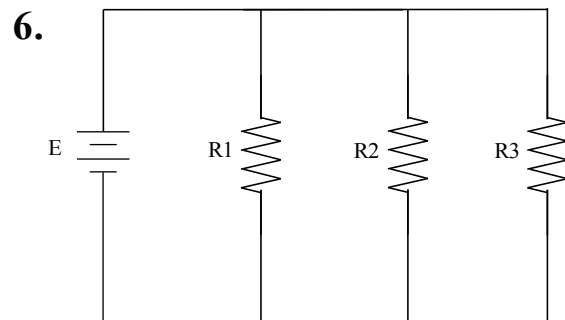
$$\begin{array}{ll}
 E = \underline{\hspace{1cm}} & R2 = 4 \text{ ohms} \\
 I_T = 1 \text{ ampere} & R3 = 6 \text{ ohms} \\
 R1 = 2 \text{ ohms} & R4 = 12 \text{ ohms}
 \end{array}$$



$$\begin{array}{ll}
 E = 12 \text{ volts} & R2 = 8 \text{ ohms} \\
 I_T = \underline{\hspace{1cm}} & R3 = 4 \text{ ohms} \\
 R1 = 8 \text{ ohms} &
 \end{array}$$



$$\begin{array}{ll}
 E = 12 \text{ volts} & R2 = 12 \text{ ohms} \\
 I_T = 4 \text{ amperes} & R3 = \underline{\hspace{1cm}} \\
 R1 = 12 \text{ ohms} &
 \end{array}$$



$$\begin{array}{ll}
 E = \underline{\hspace{1cm}} & R2 = 24 \text{ ohms} \\
 I_T = 2 \text{ amperes} & R3 = 12 \text{ ohms} \\
 R1 = 24 \text{ ohms} &
 \end{array}$$