

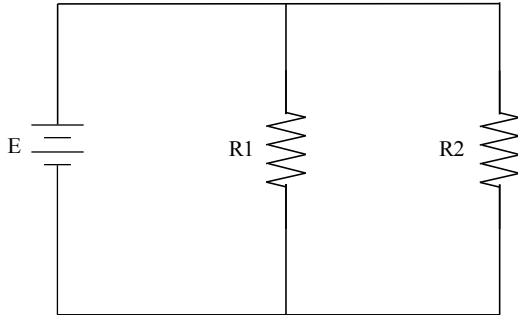
Parallel Circuit Worksheet #1

Meets NATEF Task: (A6-A-5) Diagnose Electrical/Electronic Integrity for Series, Parallel, and Series-Parallel Circuits Using Principles of Electricity (Ohm's Law).

Name _____ Date _____ Time on Task _____

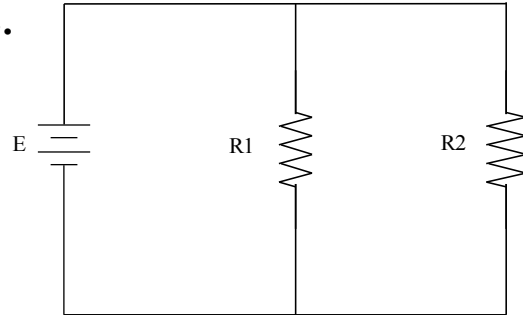
Make/Model/Year _____ VIN _____ Evaluation: 4 3 2 1

1.



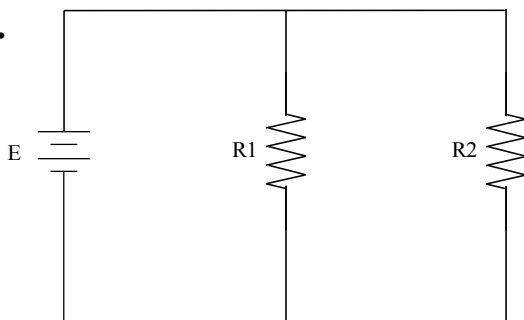
$E = 12 \text{ volts}$ $R1 = 4 \text{ ohms}$
 $I_T = \underline{\hspace{2cm}}$ $R2 = 4 \text{ ohms}$

2.



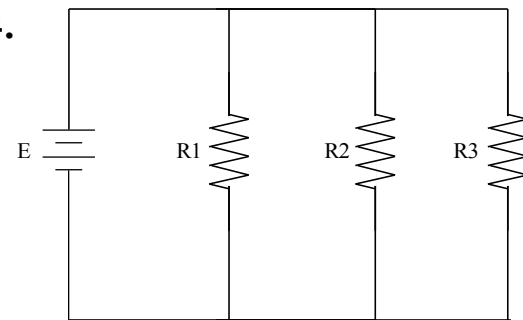
$E = 12 \text{ volts}$ $R1 = 6 \text{ ohms}$
 $I_T = 4 \text{ amperes}$ $R2 = \underline{\hspace{2cm}}$

3.



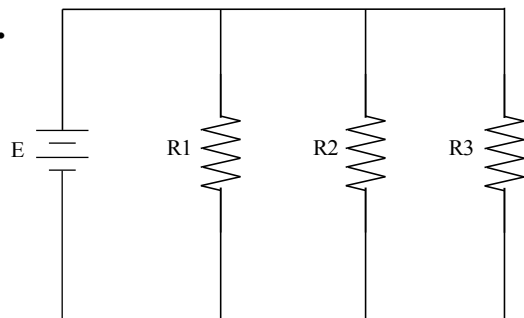
$E = 12 \text{ volts}$ $R1 = 12 \text{ ohms}$
 $I_T = \underline{\hspace{2cm}}$ $R2 = 12 \text{ ohms}$

4.



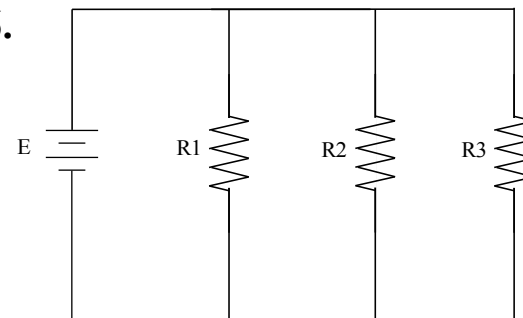
$E = 12 \text{ volts}$ $R2 = 4 \text{ ohms}$
 $I_T = \underline{\hspace{2cm}}$ $R3 = 2 \text{ ohms}$
 $R1 = 4 \text{ ohms}$

5.



$E = \underline{\hspace{2cm}}$ $R2 = 4 \text{ ohms}$
 $I_T = 12 \text{ amperes}$ $R3 = 4 \text{ ohms}$
 $R1 = 2 \text{ ohms}$

6.



$E = 12 \text{ volts}$ $R2 = \underline{\hspace{2cm}}$
 $I_T = 12 \text{ amperes}$ $R3 = 2 \text{ ohms}$
 $R1 = 4 \text{ ohms}$