

# MacPherson Strut Service

**Meets ASE Task:** (A4-C-10) P-3 Remove, inspect, and install strut cartridge or assembly, strut coil spring, insulators (silencers), and upper strut bearing mount.

Name \_\_\_\_\_ Date \_\_\_\_\_ Time on Task \_\_\_\_\_

Make/Model/Year \_\_\_\_\_ VIN \_\_\_\_\_ Evaluation: 4 3 2 1

\_\_\_\_ 1. Check the service information for the specified service procedure.

\_\_\_\_\_  
\_\_\_\_\_  
\_\_\_\_\_

\_\_\_\_ 2. Safely support the vehicle on jacks and/or the lift.

\_\_\_\_ 3. Remove the upper and lower attaching bolts and nuts.

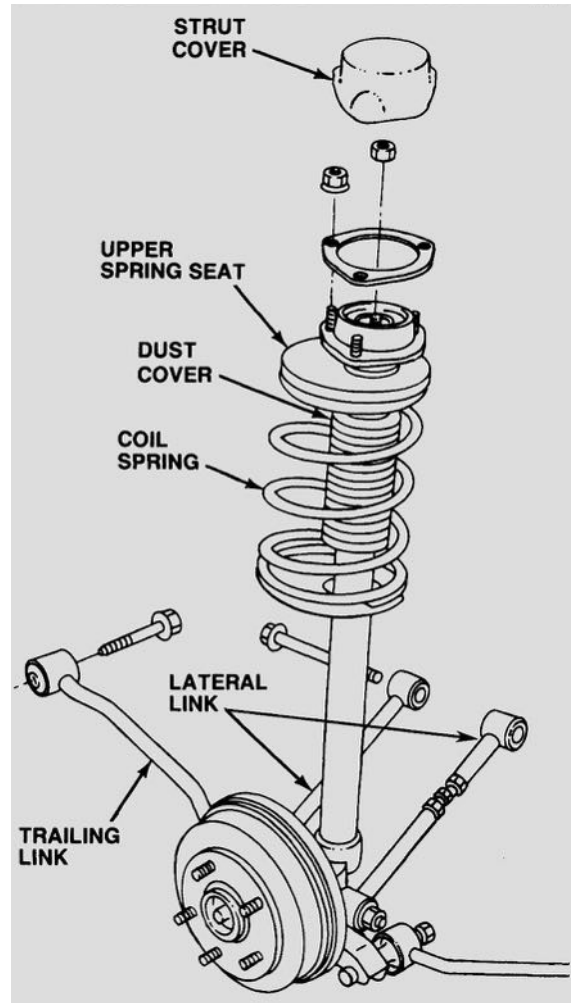
\_\_\_\_ 4. Carefully remove the MacPherson strut assembly from the vehicle.

\_\_\_\_ 5. Compress the coil spring with the proper equipment and replace the strut assembly.

Show the instructor the disassembled unit.

**Instructor's OK** \_\_\_\_\_

\_\_\_\_ 6. Reinstall the complete assembly.



**NOTE:** The vehicle should be aligned after replacing the strut assembly.