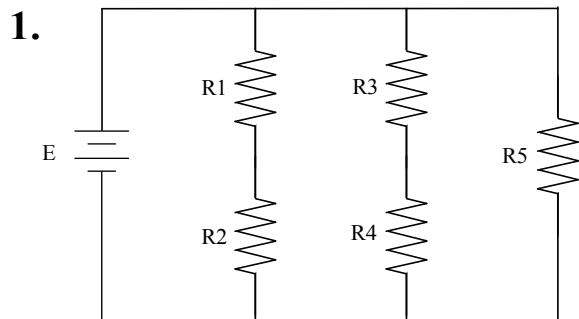


Series-Parallel Circuit Worksheet #2

Meets ASE Task: (A6-A-2) P-1 Diagnose electrical/electronic integrity for series, parallel, and series-parallel circuits using principles of electricity (Ohm's Law).

Name _____ Date _____ Time on Task _____

Make/Model/Year _____ VIN _____ Evaluation: 4 3 2 1



$$E = 24 \text{ volts}$$

$$I_T = \underline{\hspace{2cm}}$$

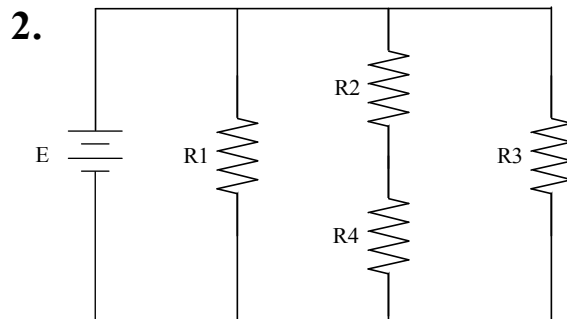
$$R1 = 6 \text{ ohms}$$

$$R2 = 6 \text{ ohms}$$

$$R3 = 6 \text{ ohms}$$

$$R4 = 6 \text{ ohms}$$

$$R5 = 6 \text{ ohms}$$



$$E = \underline{\hspace{2cm}}$$

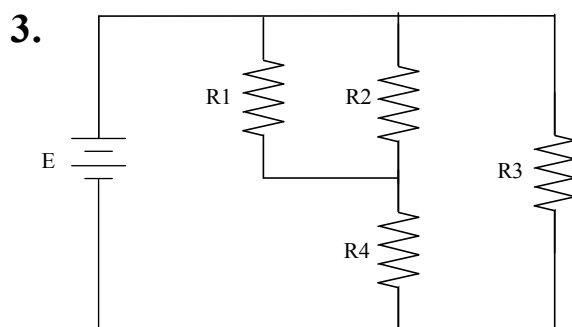
$$I_T = 12 \text{ amperes}$$

$$R1 = 8 \text{ ohms}$$

$$R2 = 4 \text{ ohms}$$

$$R3 = 4 \text{ ohms}$$

$$R4 = 4 \text{ ohms}$$



$$E = 12 \text{ volts}$$

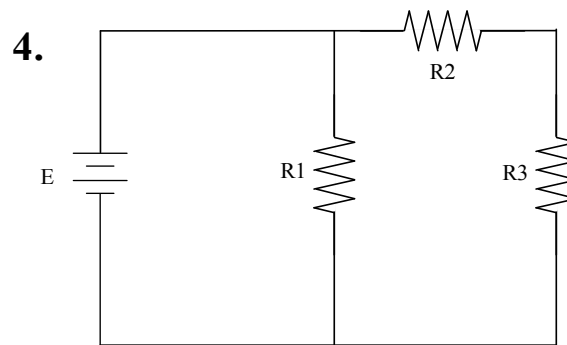
$$I_T = \underline{\hspace{2cm}}$$

$$R1 = 4 \text{ ohms}$$

$$R2 = 4 \text{ ohms}$$

$$R3 = 4 \text{ ohms}$$

$$R4 = 2 \text{ ohms}$$



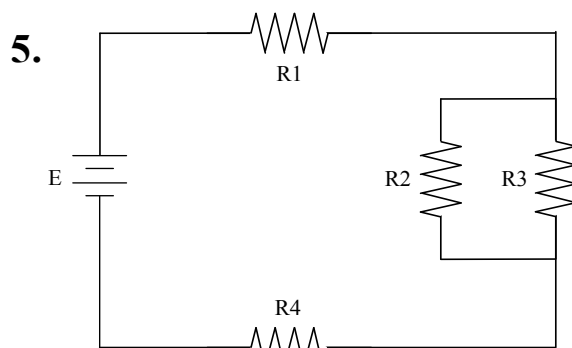
$$E = \underline{\hspace{2cm}}$$

$$I_T = 6 \text{ amperes}$$

$$R1 = 8 \text{ ohms}$$

$$R2 = 4 \text{ ohms}$$

$$R3 = 4 \text{ ohms}$$



$$E = 12 \text{ volts}$$

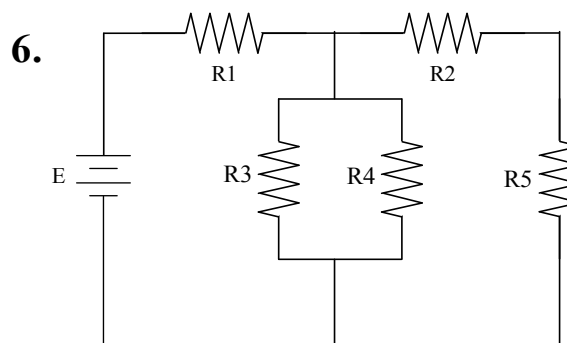
$$I_T = \underline{\hspace{2cm}}$$

$$R1 = 1 \text{ ohm}$$

$$R2 = 2 \text{ ohms}$$

$$R3 = 2 \text{ ohms}$$

$$R4 = 1 \text{ ohm}$$



$$E = 12 \text{ volts}$$

$$I_T = 4 \text{ amperes}$$

$$R1 = \underline{\hspace{2cm}}$$

$$R2 = 4 \text{ ohms}$$

$$R3 = 4 \text{ ohms}$$

$$R4 = 8 \text{ ohms}$$

$$R5 = 4 \text{ ohms}$$