

Connecting Rod Specification/Measurement

Meets ASE Task: (A1-A-2) P-1 Research applicable vehicle and service information.

Name _____ Date _____ Time on Task _____

Make/Model/Year _____ VIN _____ Evaluation: 4 3 2 1

_____ 1. Type of connecting rod.

_____ forged (wide parting line)

_____ cast (narrow parting line)

_____ powdered metal (smooth appearance)

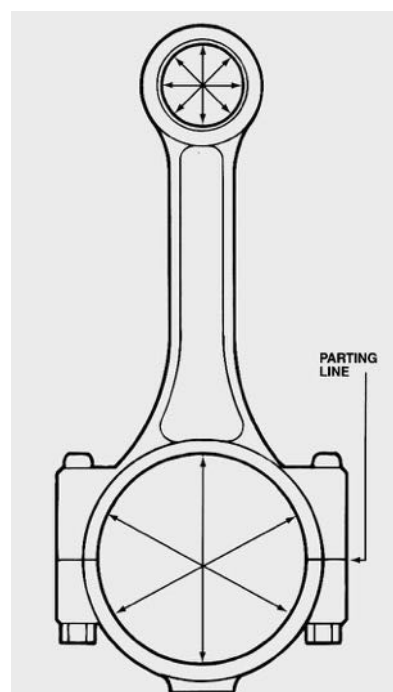
_____ 2. Is the rod equipped with an oil squirt hole near the big end to help lubricate the cylinder wall and piston pin?

Yes _____ No _____

_____ 3. Type of piston pin.

_____ press fit in the rod

_____ full floating (uses piston pin retainers)



_____ 4. Piston pin clearance specification: _____

_____ 5. Measured piston pin clearance in the piston: _____

OK _____ NOT OK _____

_____ 6. Connecting rod big end diameter specification: _____

_____ 7. Measure the connecting rod big end diameter: _____

OK _____ NOT OK _____