

Scan Tool Diagnosis

Meets NATEF Task: (A8-B-2 and A8-B-3) Retrieve and record stored OBD II diagnostic trouble codes; clear codes. (P-1)

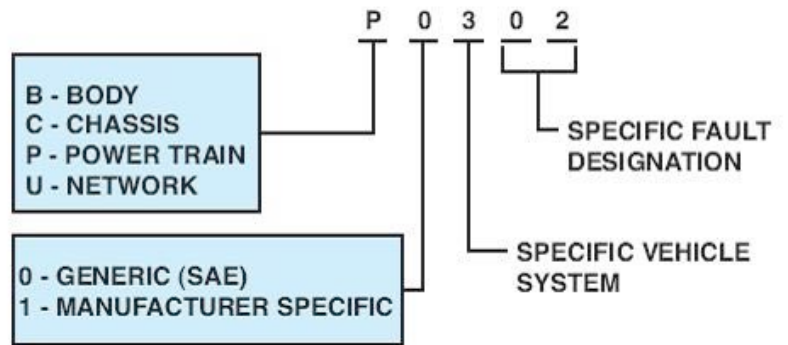
Name _____ Date _____ Time on Task _____

Make/Model/Year _____ VIN _____ Evaluation: 4 3 2 1

_____ 1. Check service information for the specified method for retrieving diagnostic trouble codes on the OBD II vehicle being serviced.

_____ 2. Set a diagnostic trouble code by unplugging a component that is check by the comprehensive component monitor (CCM), such as the throttle position sensor.

EXAMPLE: P0302 = CYLINDER #2 MISFIRE DETECTED



_____ 3. Retrieve and record the stored diagnostic trouble code (DTC).

Which code(s) was set? _____

_____ 4. Check the service information for the specified method to use to erase (clear) the DTCs.

_____ 5. Erase (clear the DTCs).

_____ 6. Verify that the DTC has been cleared.