

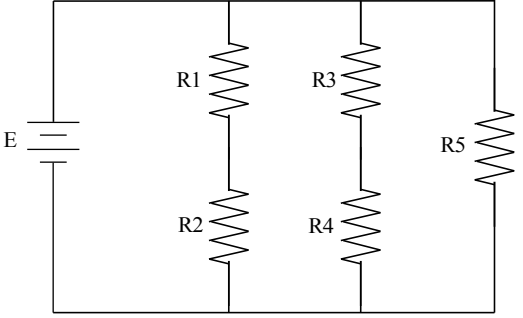
## Parallel Circuit Task Sheet #3

Meets NATEF Task: (A6-A-5) Diagnose Electrical/Electronic Integrity for Series, Parallel, and Series-Parallel Circuits Using Principles of Electricity (Ohm's Law).

Name \_\_\_\_\_ Date \_\_\_\_\_ Time on Task \_\_\_\_\_

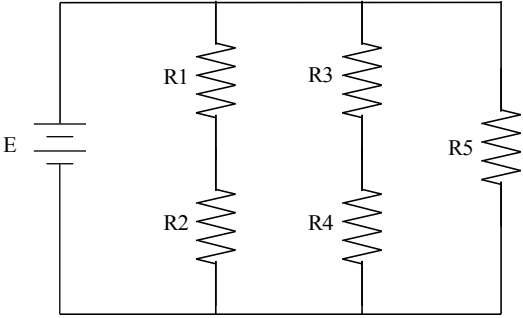
Make/Model/Year \_\_\_\_\_ VIN \_\_\_\_\_ Evaluation: 4 3 2 1

**1.**



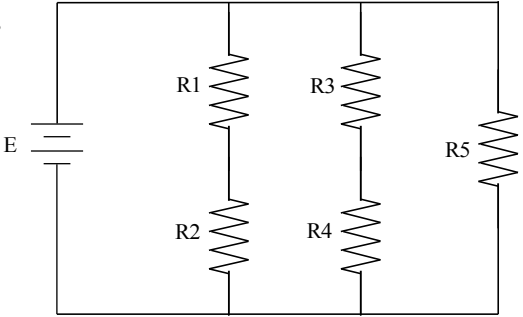
$E = 12 \text{ volts}$      $R2 = 8 \text{ ohms}$      $R5 = 8 \text{ ohms}$   
 $I_T = \underline{\hspace{2cm}}$      $R3 = 8 \text{ ohms}$   
 $R1 = 8 \text{ ohms}$      $R4 = 8 \text{ ohms}$

**2.**



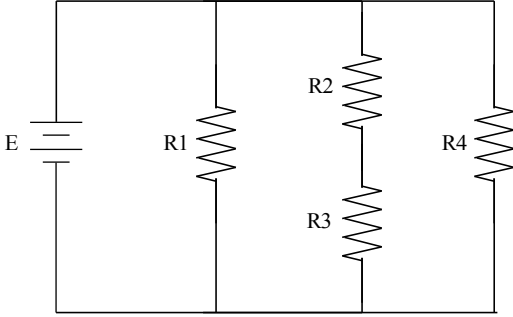
$E = 24 \text{ volts}$      $R2 = 4 \text{ ohms}$      $R5 = 4 \text{ ohms}$   
 $I_T = \underline{\hspace{2cm}}$      $R3 = 4 \text{ ohms}$   
 $R1 = 4 \text{ ohms}$      $R4 = 4 \text{ ohms}$

**3.**



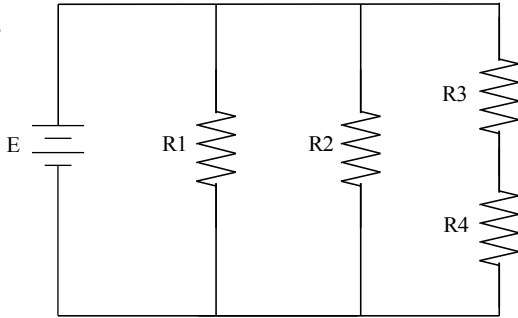
$E = \underline{\hspace{2cm}}$      $R2 = 2 \text{ ohms}$      $R5 = 4 \text{ ohms}$   
 $I_T = 6 \text{ amperes}$      $R3 = 2 \text{ ohms}$   
 $R1 = 2 \text{ ohms}$      $R4 = 2 \text{ ohms}$

**4.**



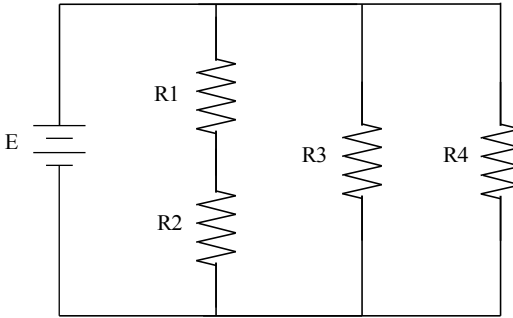
$E = 12 \text{ volts}$      $R2 = \underline{\hspace{2cm}}$   
 $I_T = 4 \text{ amperes}$      $R3 = 4 \text{ ohms}$   
 $R1 = 9 \text{ ohms}$      $R4 = 9 \text{ ohms}$

**5.**



$E = 24 \text{ volts}$      $R2 = 12 \text{ ohms}$   
 $I_T = 6 \text{ amperes}$      $R3 = \underline{\hspace{2cm}}$   
 $R1 = 12 \text{ ohms}$      $R4 = 6 \text{ ohms}$

**6.**



$E = 12 \text{ volts}$      $R2 = 12 \text{ ohms}$   
 $I_T = 2 \text{ amperes}$      $R3 = 18 \text{ ohms}$   
 $R1 = \underline{\hspace{2cm}}$      $R4 = 18 \text{ ohms}$