

# Blower Motor Circuit

**Meets NATEF Task:** (A6-H-1) Diagnose operation of motor-driven accessory; determine necessary action. (P-2)

Name \_\_\_\_\_ Date \_\_\_\_\_ Time on Task \_\_\_\_\_

Make/Model/Year \_\_\_\_\_ VIN \_\_\_\_\_ Evaluation: 4 3 2 1

\_\_\_\_\_ 1. Check service information and determine the specified testing procedures.  
 \_\_\_\_\_  
 \_\_\_\_\_

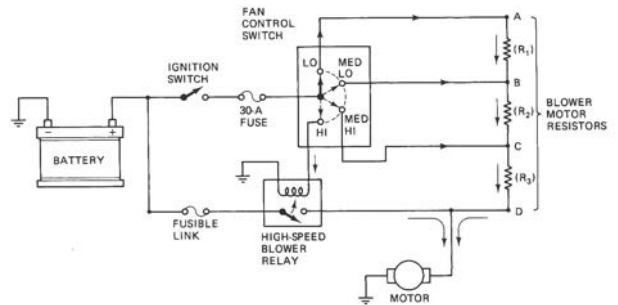
\_\_\_\_\_ 2. Locate the blower motor schematic and determine the following information:  
 a. Describe the location \_\_\_\_\_  
 b. Is the blower motor accessible from inside the vehicle or from under the hood?  
 \_\_\_\_\_

c. List the wire colors and their gauge:

Power = \_\_\_\_\_

Ground = \_\_\_\_\_

\_\_\_\_\_ 3. How are the various speeds controlled?  
 \_\_\_\_\_ Resistor pack  
 \_\_\_\_\_ Electronic controller  
 \_\_\_\_\_ Other (describe) \_\_\_\_\_



\_\_\_\_\_ 4. What fuse number (label) and amperage rating are used for the blower motor?  
 a. Fuse number (label) \_\_\_\_\_  
 b. Fuse rating \_\_\_\_\_

\_\_\_\_\_ 5. Describe the location of the ground(s) for the blower motor circuit. \_\_\_\_\_  
 \_\_\_\_\_

\_\_\_\_\_ 6. Measure the current draw of the blower motor on high speed.  
 Amperage = \_\_\_\_\_ (normal blower motor amperage draw is about 12-14 amperes)

\_\_\_\_\_ 7. Based on the inspection and test results, what is the necessary action? \_\_\_\_\_  
 \_\_\_\_\_