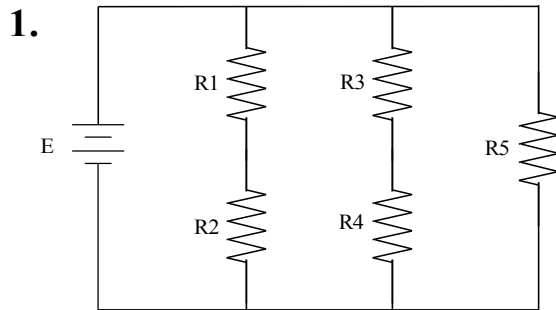


Series-Parallel Circuit Task Sheet #2

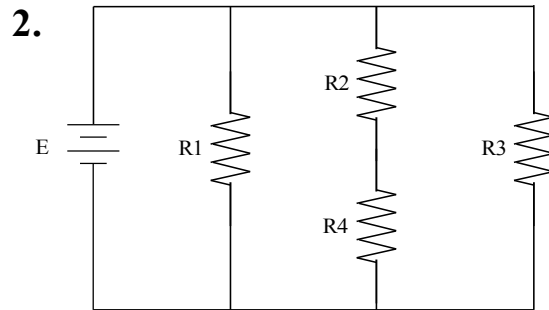
Meets NATEF Task: (A6-A-5) Diagnose Electrical/Electronic Integrity for Series, Parallel, and Series-Parallel Circuits Using Principles of Electricity (Ohm's Law).

Name _____ Date _____ Time on Task _____

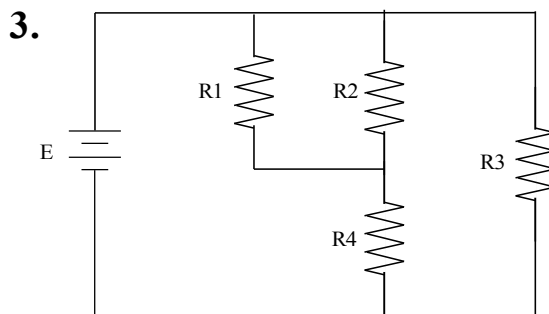
Make/Model/Year _____ VIN _____ Evaluation: 4 3 2 1



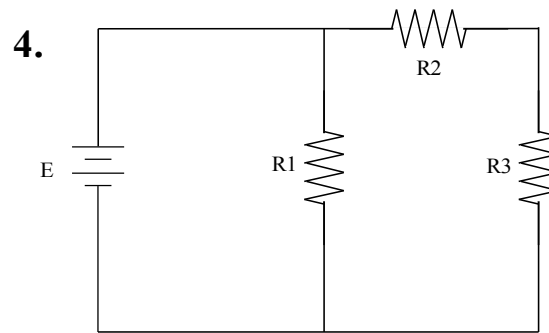
$E = 24$ volts
 $I_T =$ _____
 $R1 = 6$ ohms
 $R2 = 6$ ohms
 $R3 = 6$ ohms
 $R4 = 6$ ohms
 $R5 = 6$ ohms



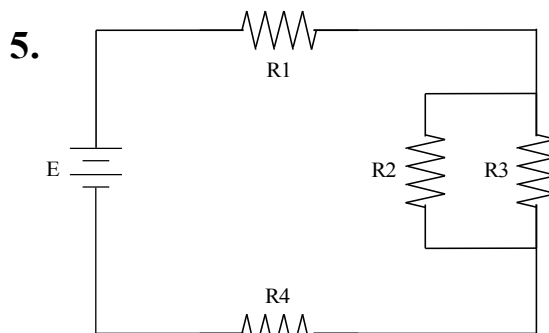
$E =$ _____
 $I_T = 12$ amperes
 $R1 = 8$ ohms
 $R2 = 4$ ohms
 $R3 = 4$ ohms
 $R4 = 4$ ohms



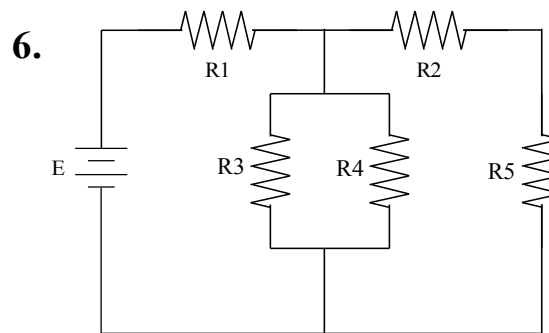
$E = 12$ volts
 $I_T =$ _____
 $R1 = 4$ ohms
 $R2 = 4$ ohms
 $R3 = 4$ ohms
 $R4 = 2$ ohms



$E =$ _____
 $I_T = 6$ amperes
 $R1 = 8$ ohms
 $R2 = 4$ ohms
 $R3 = 4$ ohms



$E = 12$ volts
 $I_T =$ _____
 $R1 = 1$ ohm
 $R2 = 2$ ohms
 $R3 = 2$ ohms
 $R4 = 1$ ohm



$E = 12$ volts
 $I_T = 4$ amperes
 $R1 =$ _____
 $R2 = 4$ ohms
 $R3 = 4$ ohms
 $R4 = 8$ ohms
 $R5 = 4$ ohms