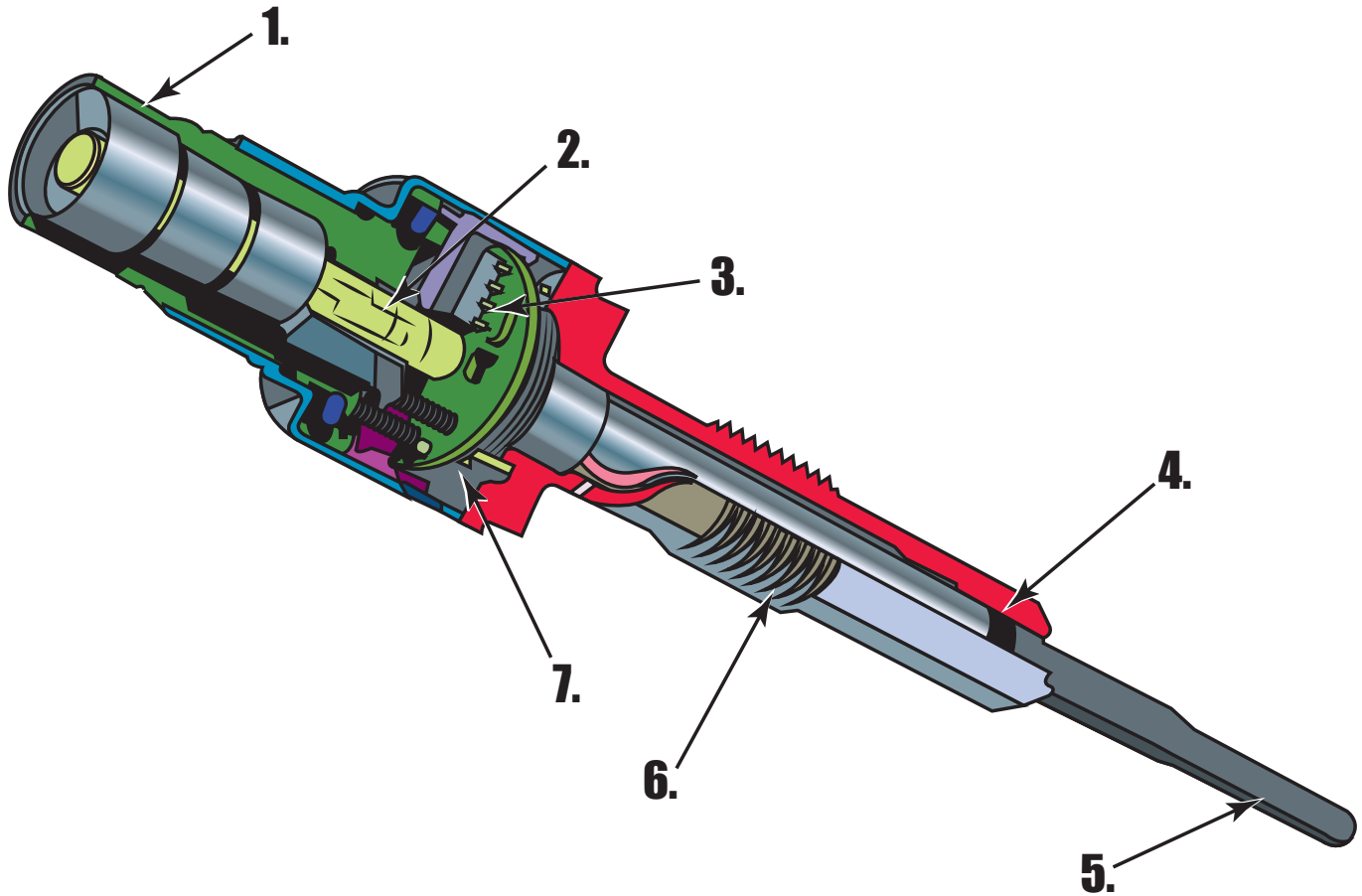


Name: _____

A9 Part ID Worksheet Pressure Sensing Glow Plug



1. _____

5. _____

2. _____

6. _____

3. _____

7. _____

4. _____