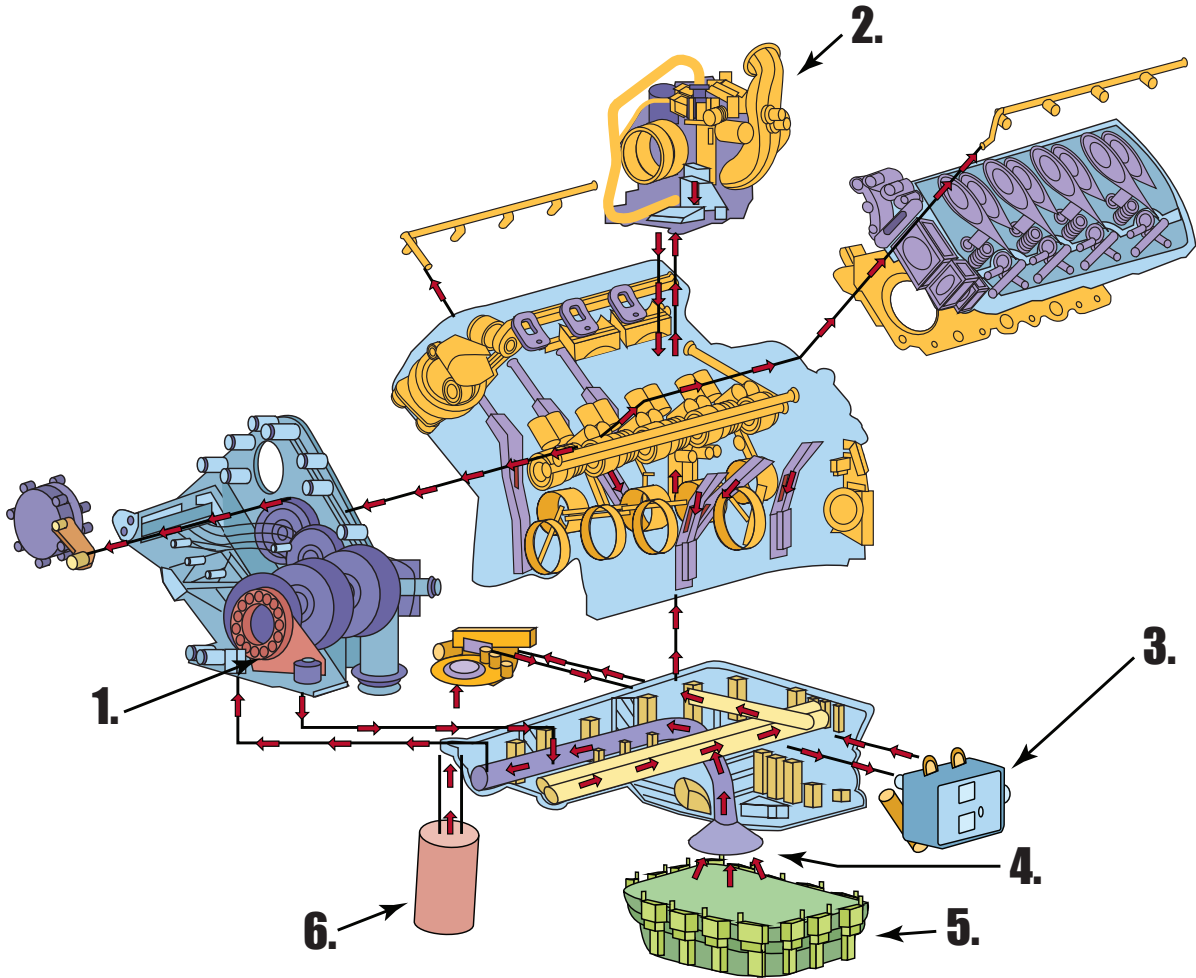


Name: _____

A9 Part ID Worksheet

6.7 Power-Stroke Diesel Oil Flow



1. _____

4. _____

2. _____

5. _____

3. _____

6. _____