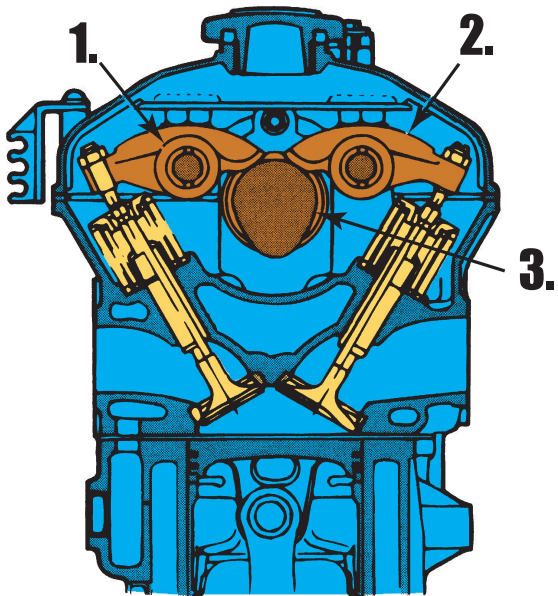
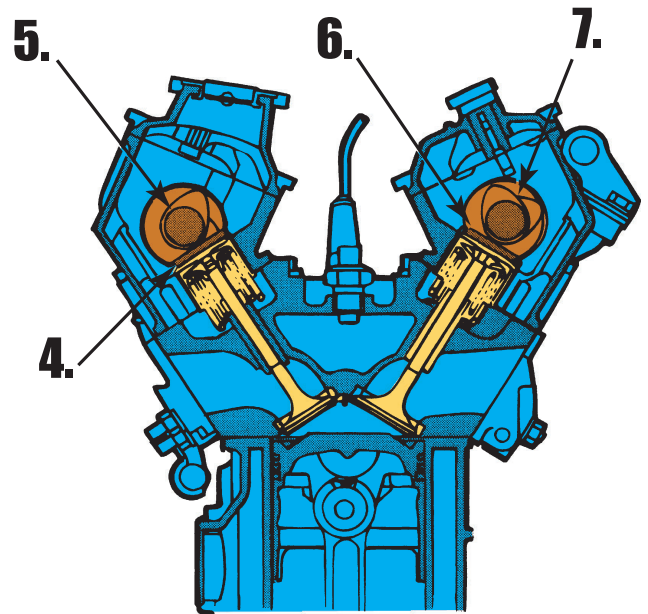


A8 Part ID Worksheet Engine Type Components



SINGLE OVERHEAD CAMSHAFT



DOUBLE OVERHEAD CAMSHAFT

1. CAM FOLLOWER

2. CAM FOLLOWER

3. CAMSHAFT

4. LIFTER

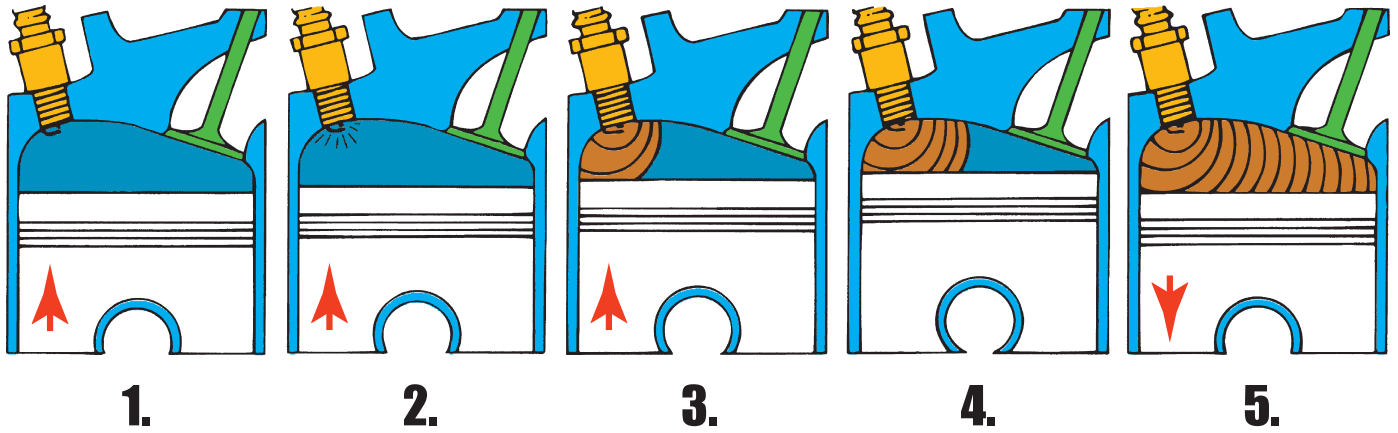
5. CAMSHAFT

6. CAMSHAFT

7. LIFTER

Name: _____

A8 Part ID Worksheet Normal Combustion Stages



1. _____
COMPRESSION

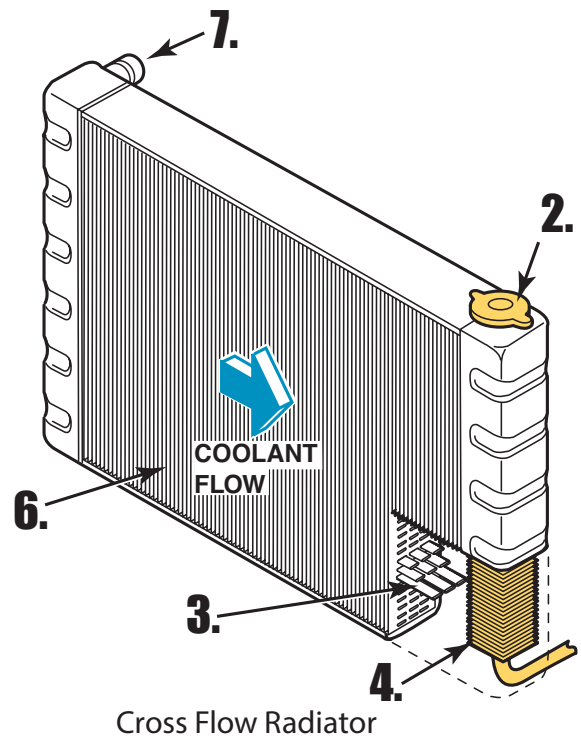
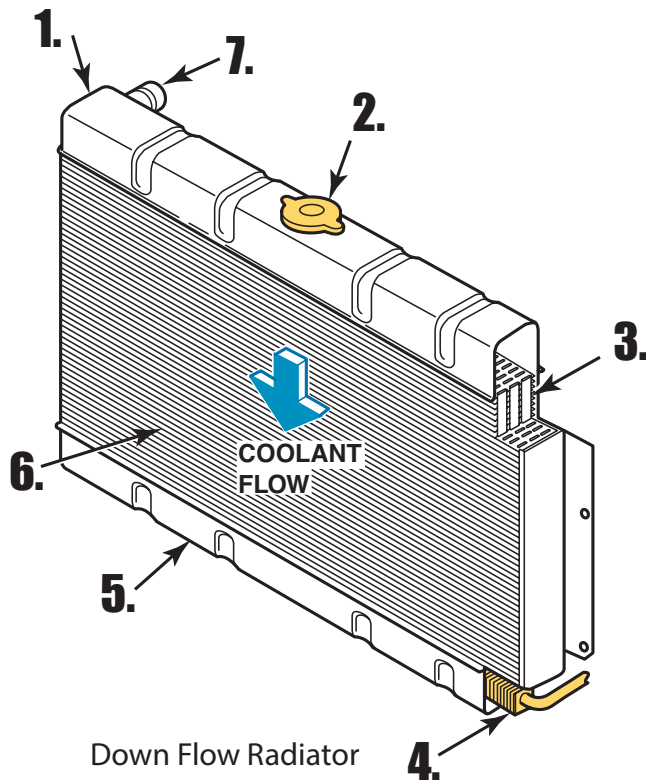
2. _____
IGNITION

3. _____
COMBUSTION

4. _____
COMBUSTION CONTINUED

5. _____
COMBUSTION COMPLETED

A8 Part ID Worksheet Radiators



1. TOP TANK

2. RADIATOR CAP

3. CORE TUBES

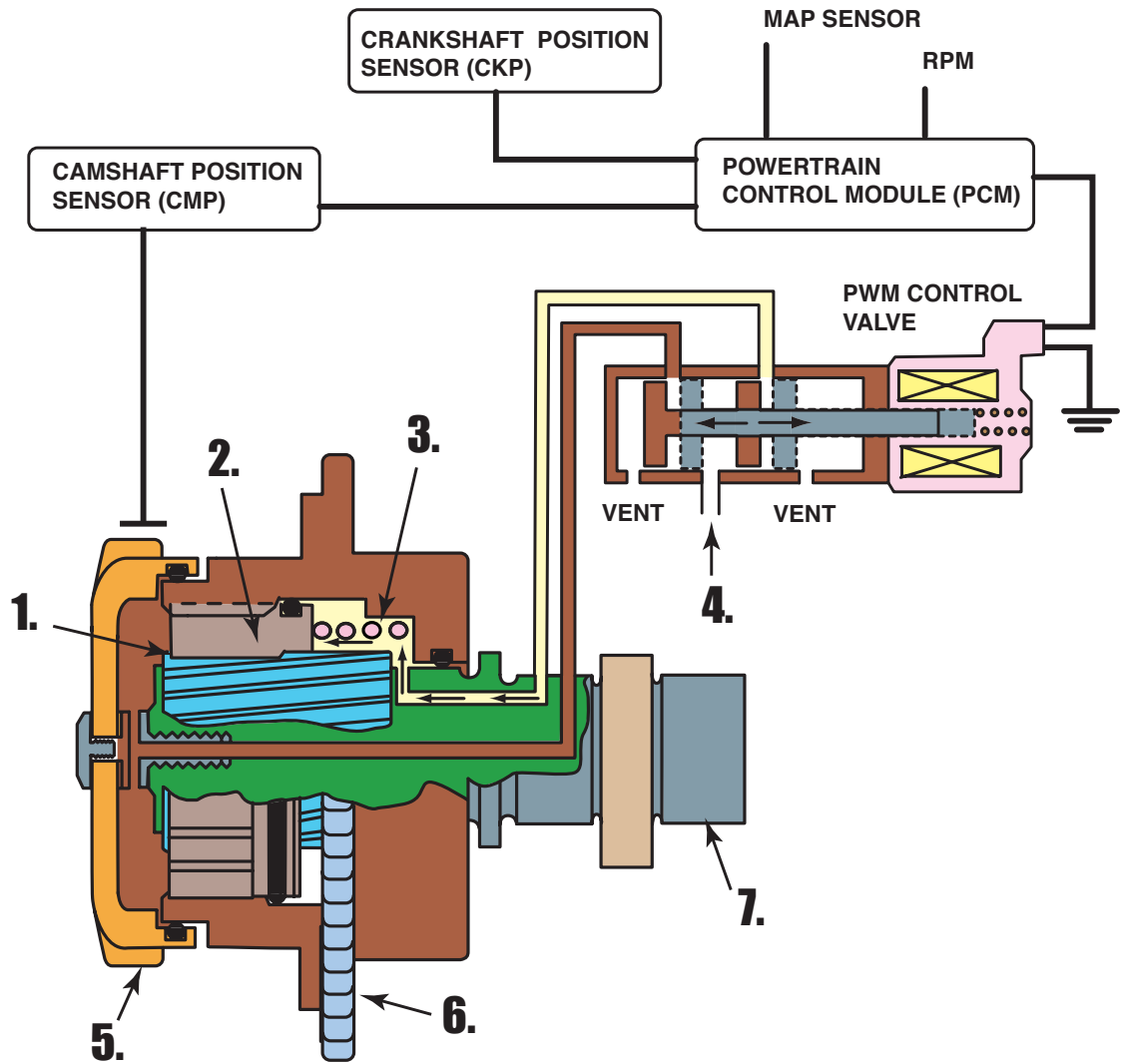
4. TRANSMISSION OIL COOLER

5. BOTTOM TANK

6. FINS

7. UPPER HOSE CONNECTOR

A8 Part ID Worksheet Spline Phaser



1. HELICAL SPLINE (PART OF CAM)

2. PISTON

3. SPRING

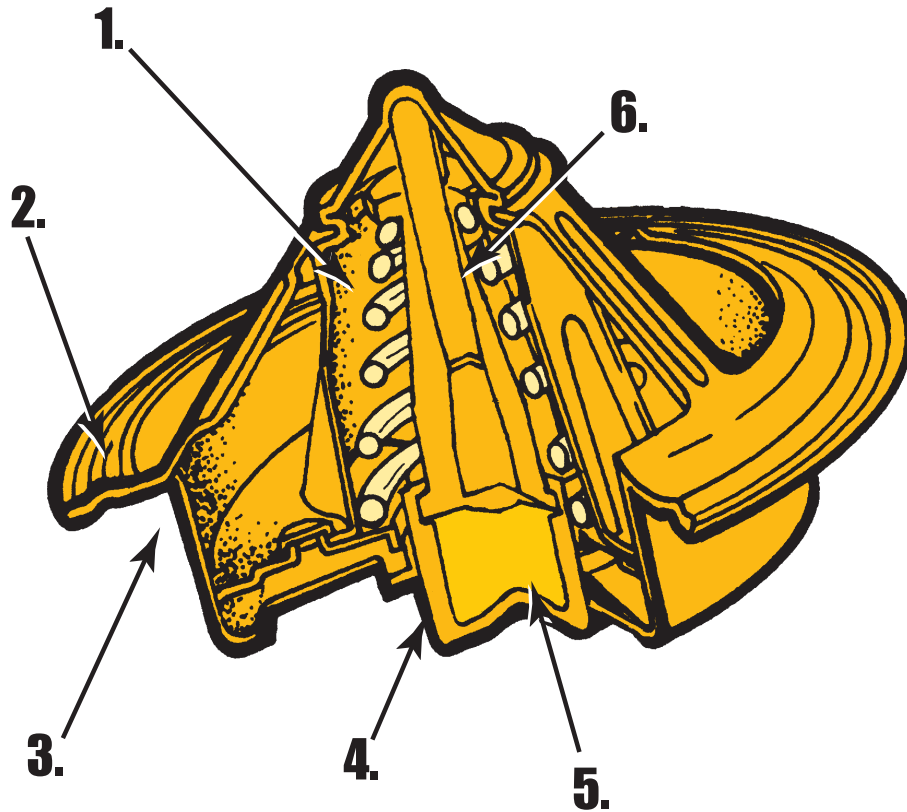
4. ENGINE OIL PRESSURE

5. RELECTOR WHEEL TOOTH

6. SPROCKET

7. CAMSHAFT

A8 Part ID Worksheet Thermostat



1. SPRING

2. UPPER HOUSING

3. LOWER HOUSING

4. COPPER CUP

5. WAX PELLET

6. PISTON

