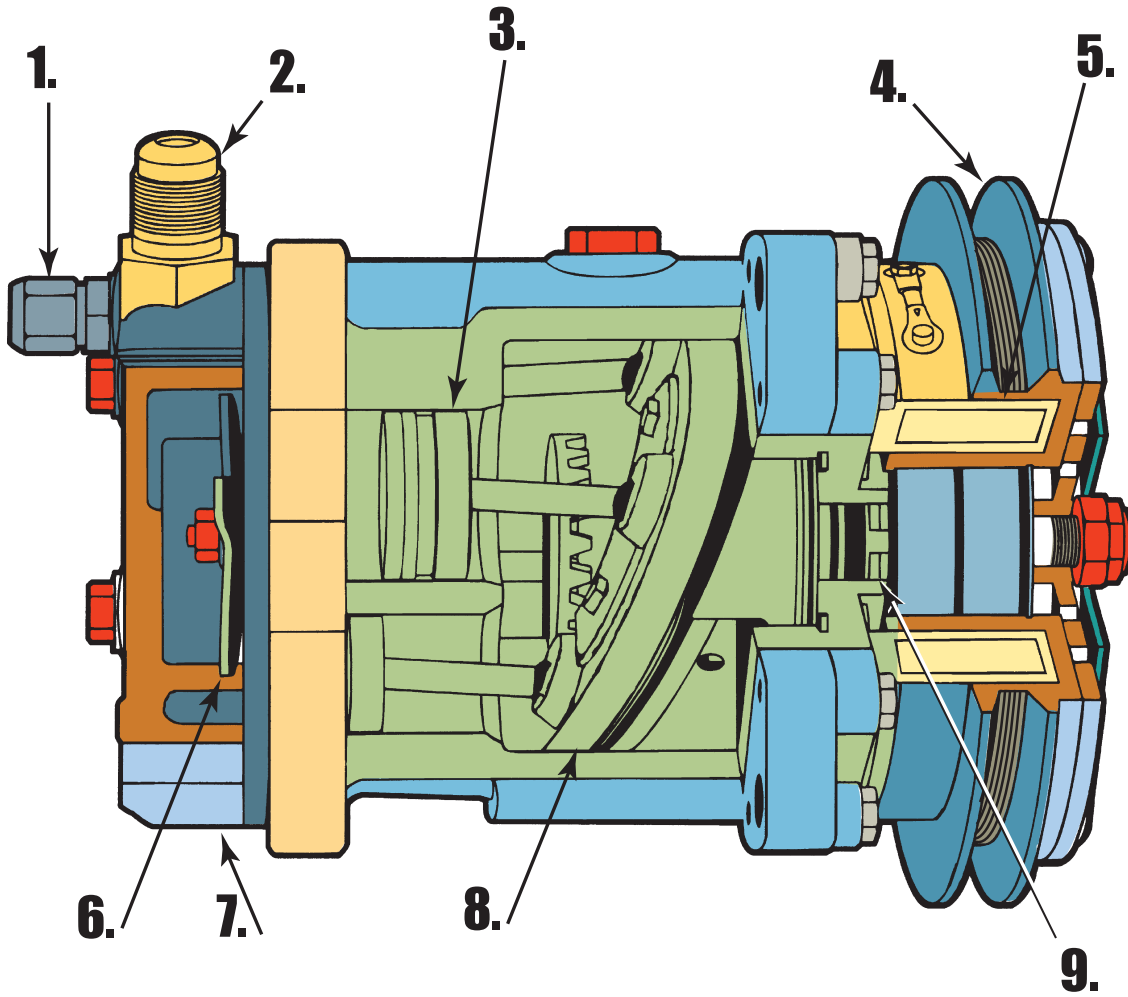


Name: _____

A7 Part ID Worksheet Compressor



1. _____

6. _____

2. _____

7. _____

3. _____

8. _____

4. _____

9. _____

5. _____