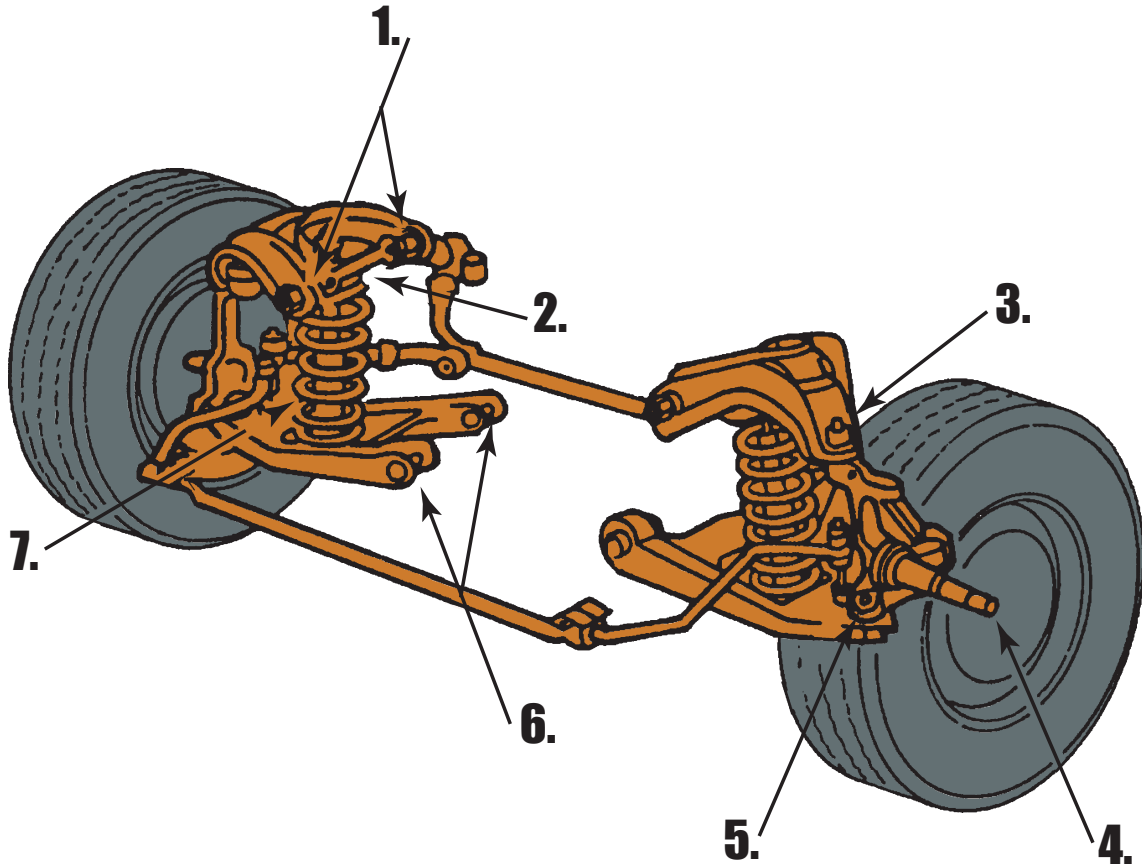


Name: _____

A4 Part ID Worksheet Independent Front Suspension - RWD



1. UPPER CONTROL ARM BUSHING

2. PIVOT SHAFT

3. UPPER BALL JOINT

4. SPINDLE

5. LOWER BALL JOINT

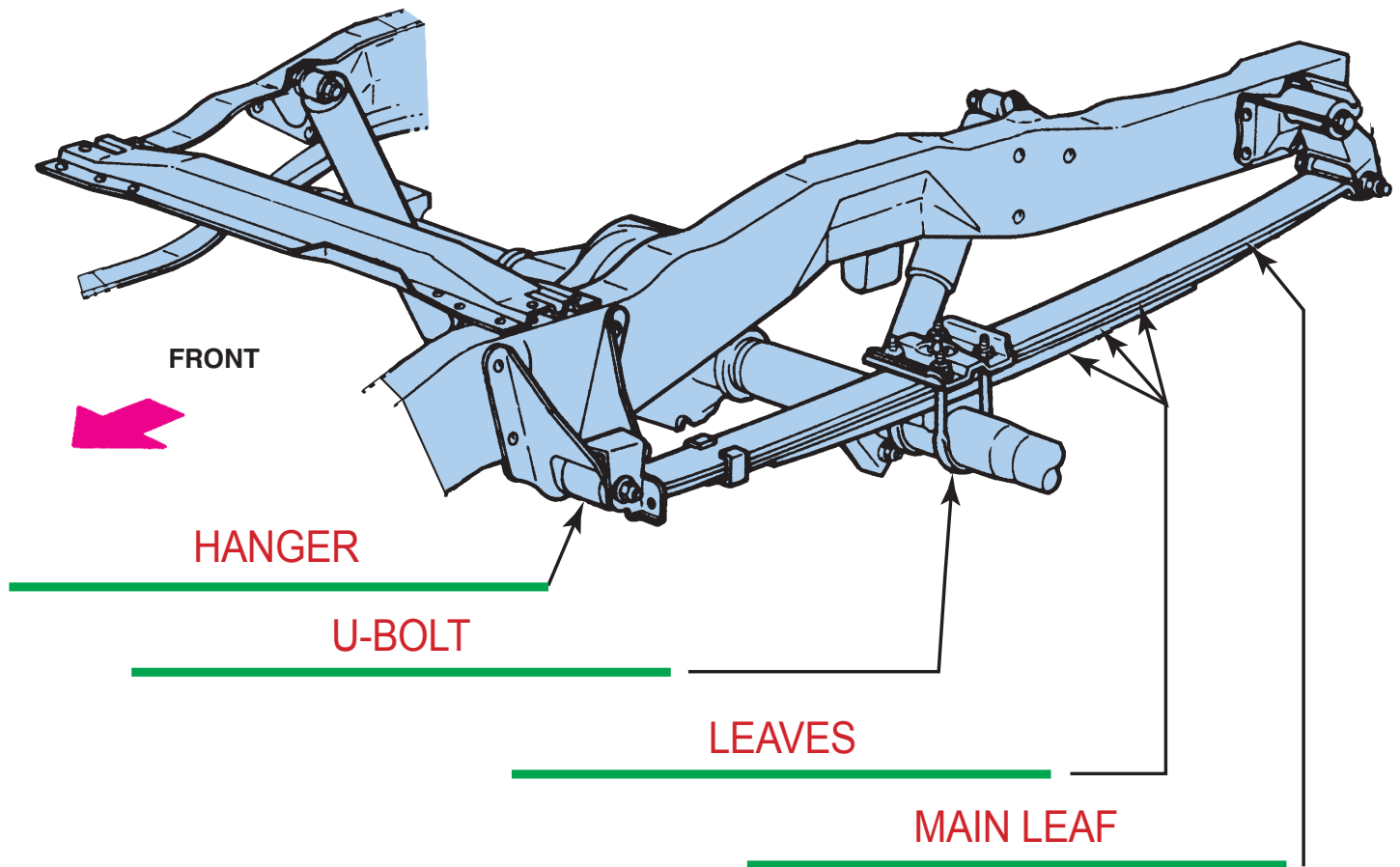
6. LOWER CONTROL ARM BUSHINGS

7. COIL SPRING



Name: _____

A4 Part ID Worksheet Leaf Spring Assembly

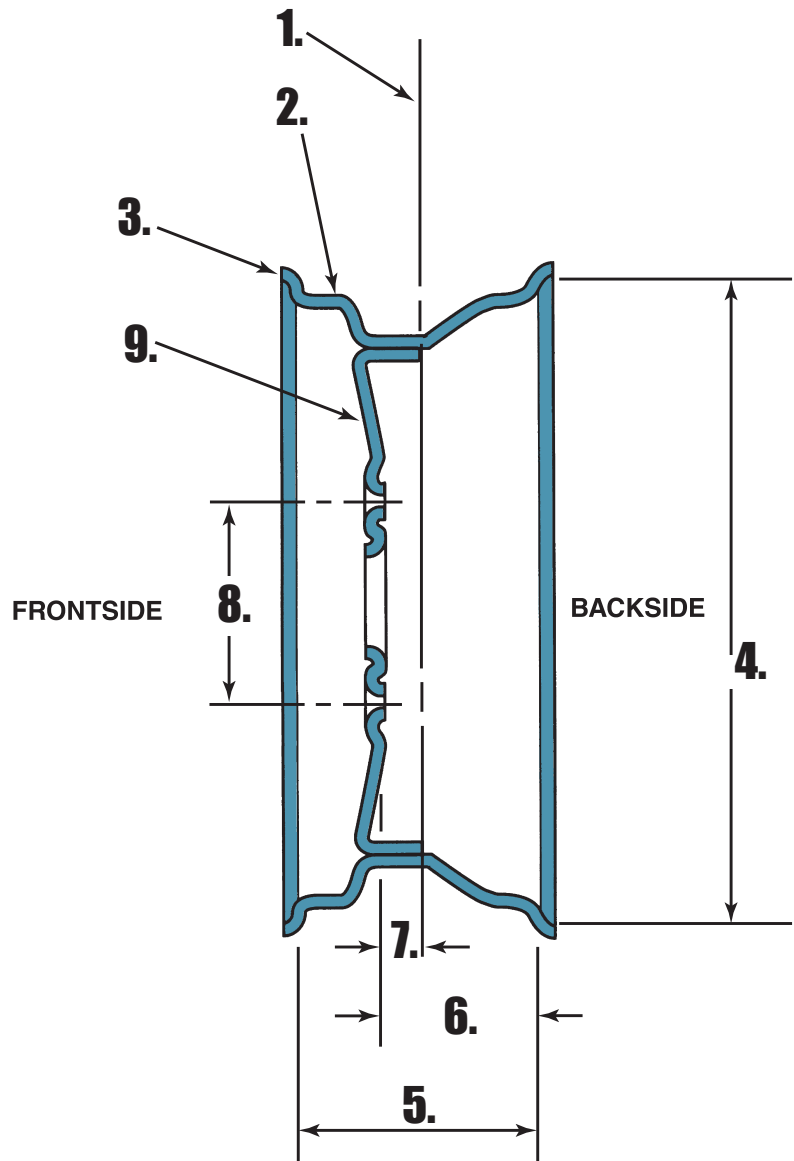




Name: _____

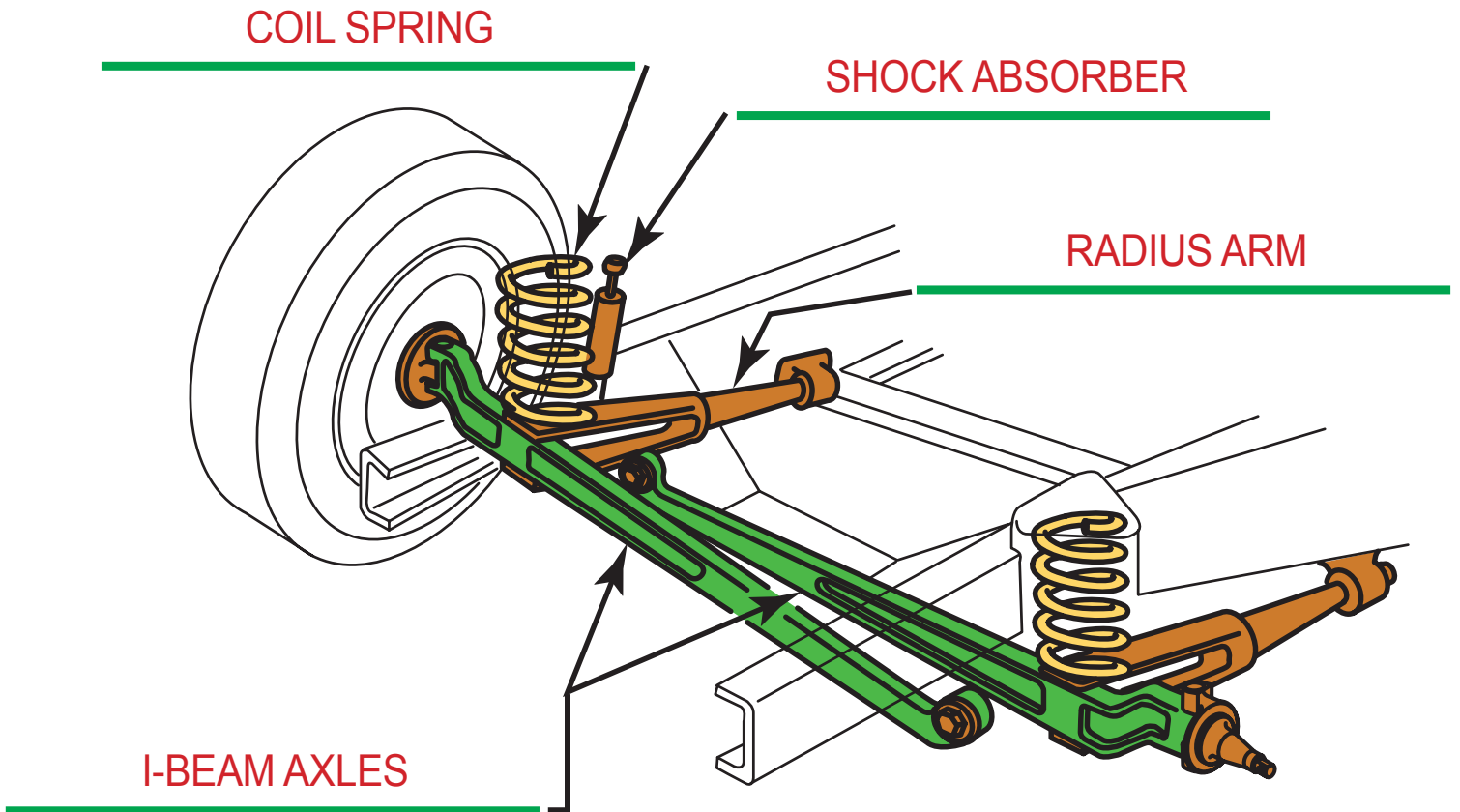
A4 Part ID Worksheet Wheel Parts

- 1. _____ CENTERLINE
- 2. _____ RIM
- 3. _____ FLANGE
- 4. _____ RIM DIAMETER
- 5. _____ RIM WIDTH
- 6. _____ BACKSPACING
- 7. _____ OFFSET
- 8. _____ BOLT CIRCLE
- 9. _____ CENTER

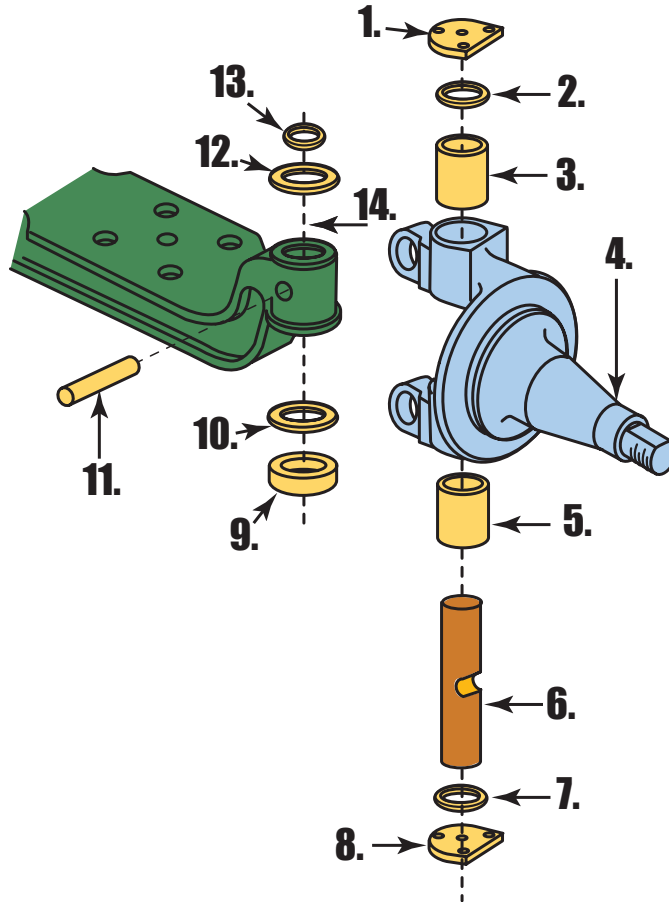


Name: _____

A4 Part ID Worksheet Twin I-Beam Suspension



A4 Part ID Worksheet Typical Kingpin with Solid Axle



1. KNUCKLE CAP

2. GASKET

3. BUSHING

4. SPINDLE

5. BUSHING

6. KINGPIN

7. GASKET

8. KNUCKLE CAP

9. BEARING

10. THRUST WASHER

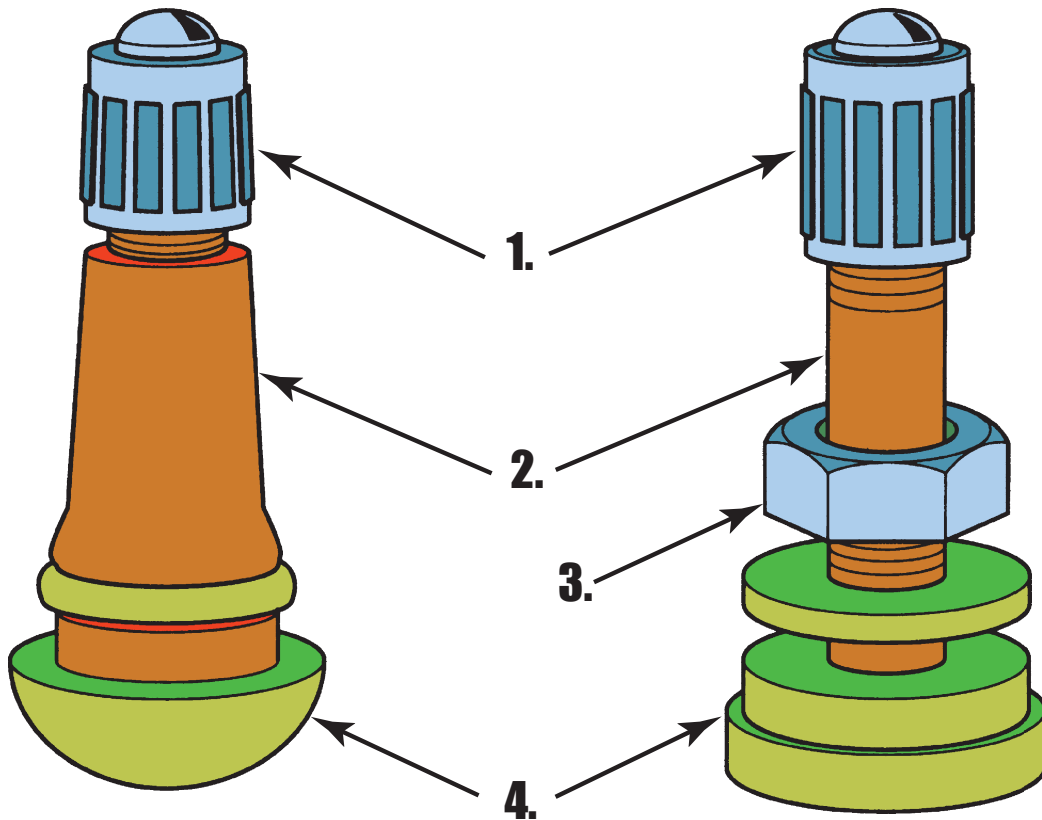
11. LOCKPIN

12. SHIM

13. SEAL

14. CENTERLINE

A4 Part ID Worksheet Tire Valve Stems



Rubber snap-in style

Metal clamp-type

1. _____ CAP

2. _____ VALVE BODY

3. _____ RETAINING NUT

4. _____ BASE