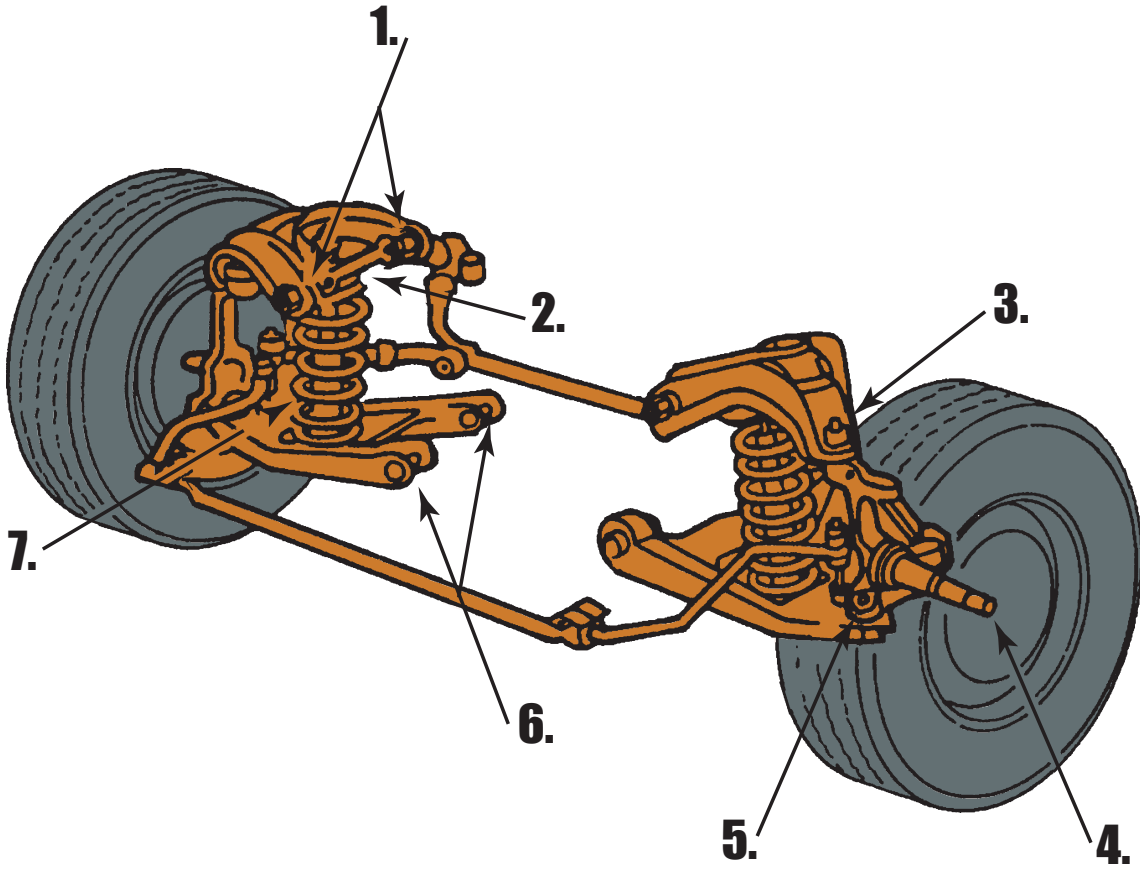


Name: _____

A4 Part ID Worksheet Independent Front Suspension - RWD



1. _____

5. _____

2. _____

6. _____

3. _____

7. _____

4. _____